

1981



2023



**FIRE SPRINKLER SPECIALTIES • PIPING TOOLS  
 HANGERS & SEISMIC • PIPING CHEMICALS  
 PIPE FITTINGS • VALVES • FIRE EQUIPMENT  
 BOILER/HVAC**



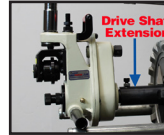
# GRUVMASTER 1" TO 12" COMBO ROLL GROOVERS

## GRUVMASTER G-1X HEAVY DUTY COMBO ROLL GROOVER 1"-12"

**The only TRUE Portable Schedule 40 Groover for up to 8" pipe.**

- Easily swap out shafts in 30 seconds
- Chucks into Ridgid® 300 for Power Grooving or Manually Roll Groove in the air or with a pipe vise.

- Capacity: 1" to 12" Pipe
- 1" to 8" schedule 10/40 pipe
- 8" to 12" schedule 10 pipe
- Heavy Duty Ductile Iron Construction
- Weight: 47 lbs.



1" Diameter x 8" Long Drive Shaft Extension disperses stress on the roll groover

**Item # 3309130:  
GruvMaster G-1 X  
Heavy Duty  
Combo Roll Groover**



## GRUVMASTER G-2X STANDARD DUTY COMBO ROLL GROOVER 1" to 12"

**The only Combo Roll Groovers that can groove 1" to 12" pipe.**

- The most durable lightweight groover on the market
- Easily swap out shafts in 30 seconds
- Chucks into Ridgid® 300 for Power Grooving or Manually Roll Groove in the air or with a pipe vise.
- 1" - 6" schedule 10 and 40 pipe
- Use 2"-6" optional shaft for better performance on schedule 40 pipe
- Operate at slower speeds when grooving sch 40 pipe
- Optional 8" - 12" roller and shaft for schedule 10 pipe
- Weight: 27 lbs.

**Item # 3309120:  
GruvMaster G-2 X  
Standard Duty  
Combo Roll Groover**

RIDGID® is a registered trademark of RIDGID®, Inc.

# HOLEMASTER HOLE DRILLING TOOL



- Lighter, easier and faster than previous models
- Patented Quick-Change Hole Guides
- Four Leveling Vials
- 31% Lighter than other brands
- Easier to cut a straight hole, especially on a ladder
- Perfect for waterflow detectors, mechanical tees and weld-o-lets

**ITEM # 3099098**



## SPRINKLER LASER CENTERING LEVEL

- 24" Aluminum Level is Durable & Easy to use
- Recessed built-in Laser Attachment & 4 leveling vials
- Fast Way Increase your accuracy and productivity
- Perfect for any sprinkler fitter

- Projects vertical laser dot over 40 ft.
- Includes two AAA batteries

**ITEM # 3099104A**



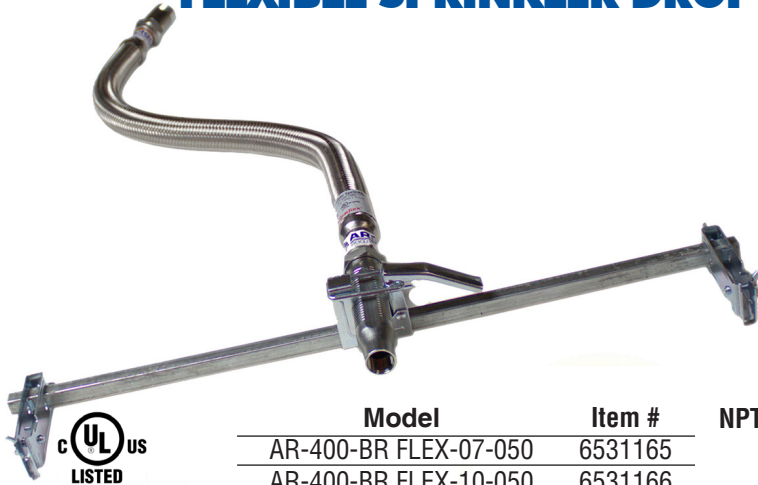
## SPOTTER LEVEL

- 1" Male NPT & 1/2" Threaded Female NPT on one end
- 7" long torpedo horizontal and vertical levels with 4 magnets on flat edge
- Screw level into a threaded pipe fitting and use it to spot the outlet you are tightening either plumb or level.
- Optional Laser Attachment Available

**ITEM # 3099105**



# MEGA-FLEX FULL-BORE HOSE FLEXIBLE SPRINKLER DROP



Model	Item #	NPT
AR-400-BR FLEX-07-050	6531165	1/2"
AR-400-BR FLEX-10-050	6531166	
AR-400-BR FLEX-12-050	6531167	
AR-400-BR FLEX-15-050	6531168	
AR-400-BR FLEX-18-050	6531169	
AR-400-BR FLEX-07-075	6531175	
AR-400-BR FLEX-10-075	6531176	
AR-400-BR FLEX-12-075	6531177	
AR-400-BR FLEX-15-075	6531178	
AR-400-BR FLEX-18-075	6531179	

- High Performance Flexible Connection
- Full 1" inner flow diameter
- Available in straight and 90° nipple
- Available with preassembled brackets

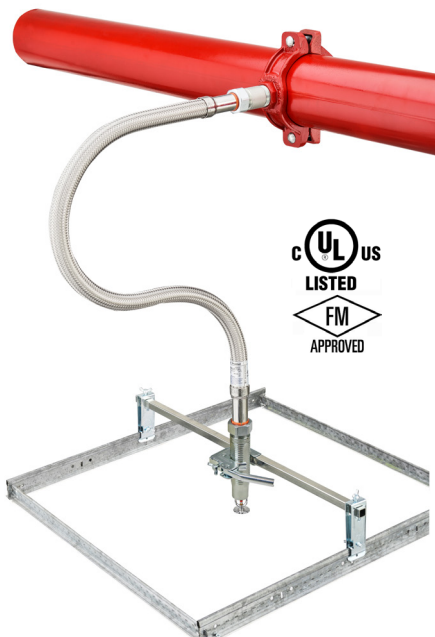
ARGCO MEGA-FLEX BRAIDED							
Length	UL DATA			FM DATA			Radius
	EL	Bends	Radius	EL	Bends	Radius	
28"	18 ft	4	2"	4.5 ft	1	6.9"	
40"	24 ft	5	2"	9.8 ft	3	6.9"	
48"	37 ft	8	2"	13.4 ft	3	6.9"	
60"	49 ft	10	2"	18.8 ft	3	6.9"	
72"	52 ft	12	2"	24.2 ft	4	6.9"	
28"	18 ft	4	2"	13.0 ft	1	6.9"	
40"	24 ft	5	2"	20.8 ft	3	6.9"	
48"	37 ft	8	2"	26.0 ft	3	6.9"	
60"	49 ft	10	2"	33.8 ft	3	6.9"	
72"	52 ft	12	2"	41.7 ft	4	6.9"	

All Brackets are compatible with ARGCO MegaFlex and 3-Bend Hoses



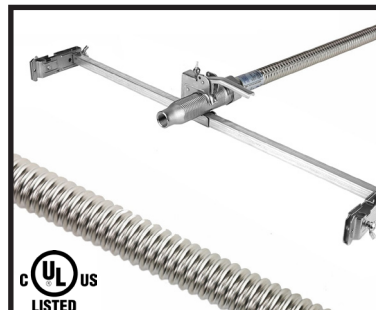
## 3-BEND BRAIDED FLEXIBLE SPRINKLER DROP

- Save Time & Money
- No cutting, no welding, no threading
- Perfect for retrofit applications
- Easy to move for layout changes
- Most flexible hose in its class.  
3 bends 4" minimum radius



### TECHNICAL DATA

- Rated Pressure: 203 PSI (14 Bars)
- Maximum Ambient Temperature: 150°F (66°C)
- Designed for use in wet and dry systems
- Flexibility Type: Unlimited
- Hose Diameter: O.D. 1-1/16" / Flow 3/4"



## UNBRAIDED HOSE AVAILABLE

Visit [ARGCO.com](http://ARGCO.com) for full Tech Data, options and pricing and availability.

phone: 800.854.1015

[ARGCO.com](http://ARGCO.com)

fax 800.924.5922

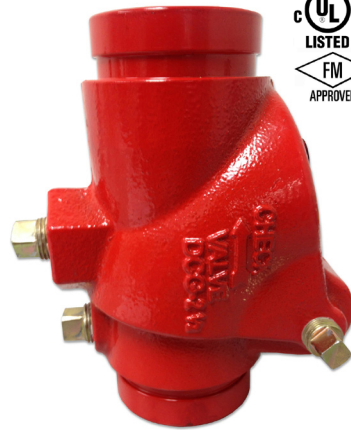


# FIRE PROTECTION VALVES

UL and FM state Argco meets the specifications for fire sprinkler installations.  
Equal Quality and Guaranteed Savings.



GROOVED BUTTERFLY VALVES  
(DUCTILE)



GROOVED CHECK VALVES  
(DUCTILE)



OS&Y VALVES  
(FLANGED)



BUTTERBALL  
VALVES (BRASS)

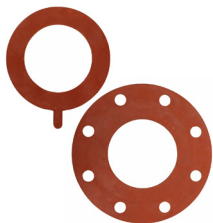


**ARGCO.com**  
FULL LINE OF VALVES  
PRICING, AVAILABILITY  
AND TECH DATA



OS&Y VALVES (BRONZE)

## PIPE FLANGE GASKETS AND BOLT PACKS



RED RUBBER  
GASKETS



NON-ASBESTOS  
GASKETS



RED RUBBER  
BOLT & GASKET SETS



NON ASBESTOS  
BOLT & GASKET SETS



# GROOVED FITTINGS

In this freight intensive product line, your volume purchase speaks loudly. If you can stock, you can save! Big Big Savings, call today and find out how much you can save on 10,000 lb. and full truck orders. Mix and match any item from the entire website to fill that truck and your pockets full of money. UL listed and FM approved grooved products that will make a difference in your bottom line.



STANDARD RIGID COUPLINGS



FLEXIBLE COUPLINGS



REDUCING COUPLINGS



90° ELBOWS



45° & 22.5° ELBOWS



TEES



CROSSES



END CAPS



DRAIN CAPS



MECHANICAL TEES GROOVED



MECHANICAL TEES THREADED



U-BOLT MECHANICAL TEES



FLANGE ADAPTERS



FLANGE ADAPTER NIPPLES



CONCENTRIC REDUCERS

**GET THE VERY BEST PRICING  
BUY BY THE PALLET OR TRUCKLOAD  
CONTACT YOUR SALES REP FOR DETAILS**





# PIPE FITTINGS

## THREADED IRON FITTINGS



**DUCTILE IRON FITTINGS**



**CAST IRON FITTINGS**



**MALLEABLE FITTINGS**



**PIPE NIPPLES**



**THREADED WELD O LETS**



**GROOVED WELD O LETS**

## PIPING CHEMICALS

### **SUPERDOPE**

**ANAEROBIC  
THREAD SEALANT**



Chemically hardens in the absence of air into a tough, structural solid.



**SUPERWELD™  
ANAEROBIC  
WELD SEALANT**



**PTFE  
TAPE**



**INDUSTRIAL (0.4 DENSITY)**

**HIGH (0.8) DENSITY**

**PREMIUM (1.0) DENSITY**



### **TUF-GLIDE**

**THREAD SEALANT  
WITH PTFE**



Pipefitters Report: Tuf-Glide is Easier to apply, easier to pull up on pipe wrench, greatly reduced effort and eliminates leaks. Sticks to hot, oily pipe, drips less, and saves oil, dies and money!

## THREADING OIL



**TUF-CUT DARK  
THREADING OIL**

**TUF CUT CLEAR  
THREADING OIL**



## FREEZE PROTECTION



**PG-38  
PROPYLENE  
GLYCOL  
FACTORY  
PRE-MIX**



**GL-48  
GLYCERINE  
FACTORY  
PRE-MIX**

**ARGCO.com: Find Technical Data, Catalogs, SDS Sheets & Stock**

phone: 800.854.1015

ARGCO.com

fax 800.924.5922



# RISER ASSEMBLIES

**NEW**

## COMMERCIAL RISERS

ARGCO's Model CR Commercial Riser comes factory assembled with the necessary accessories for a cost effective, yet complete riser assembly.

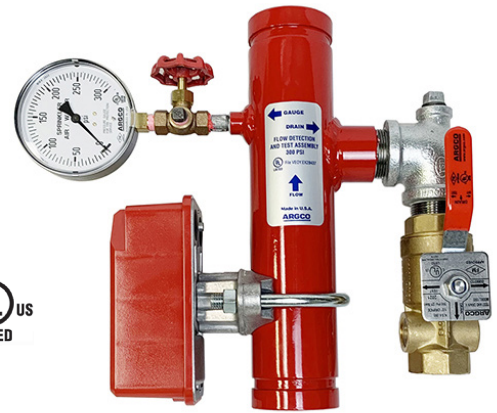
2", 2-1/2", 3", 4, and 6" sizes

300 psi (20.7 bar) Working Pressure

Includes: UL Listed pressure gauge, a 1/4" three-way valve, and System Sensor or Potter Electric waterflow switch.

Optional:

- a. Test & Drain Trim with 5.6K Factor
- b. Pressure Relief Trim with Test & Drain Valve with 175 psi pressure rating



## RESIDENTIAL RISERS

ARGCO's Residential Riser is a wet-pipe sprinkler system riser assembly consisting of a stainless steel body, waterflow switch, pressure gauge, and drain.

•1", 1-1/4", 1-1/2", and 2" sizes.

300 psi (20.7 bar) Working Pressure

Includes: UL Listed pressure gauge, a 1/4" three-way valve, and System Sensor or Potter Electric waterflow switch.

Optional:

- a. Test & Drain Trim with 5.6K Factor
- b. Pressure Relief Trim with Test & Drain Valve with 175 psi pressure rating



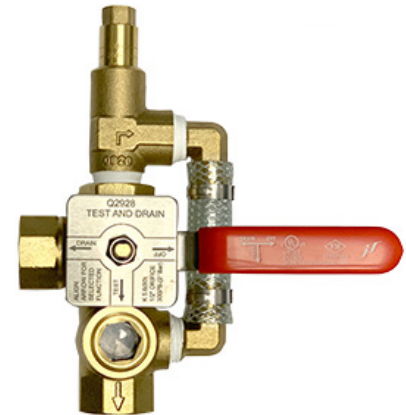
## TEST & DRAIN



- Female NPT Inlet and Outlet
- Forged Brass Body
- Large, integral sight glass on each side
- Brass Finish Ball with Teflon Seats
- 1/2" (nominal) test orifice
- 300 psi

### Pressure Relief Trim:

- Designed to relieve excess pressure
- Complies with NFPA 13



## ADJUSTABLE PIPE SUPPORTS

Heavy Duty Support for Back Flows, Pipe, Manifolds and FDCs.

- Constructed of 1" schedule 40 pipe with 1" all thread rod and adjustment nut
- Base: 5.5" diameter malleable floor flange base to mount to floor

Sizes:

- 18" to 24"
- 24" to 30"
- 30" to 36"
- 36" to 42"



phone: 800.854.1015

ARGCO.com

fax 800.924.5922

**NEW**



# DRUM DRIP ASSEMBLY

## Fully Assembled Threaded Connections



### ARGCO DRUM DRIP

(auxiliary drains, low-point drains, condensation collection assemblies) meet and exceed NFPA 13 and NFPA 25 requirements addressing drainage in dry and pre-action sprinkler systems.

Comes fully assembled with UL Listed 1" brass quarter-turn full port 600 psi valves with chrome plated brass balls.

They are easily retro-fitted into existing systems or installed into new systems.

Wrapped in a bright red, vinyl label that increases visibility, provides a consistent appearance, and includes the required NFPA signage with operating instructions that adhere to NFPA guidelines.

### Features:

- High Visibility
- Consistent Appearance
- Fully Assembled
- Galvanized or Black Steel Pipe
- High-Quality, Brass, Quarter Turn Ball Valves
- Easy Installation
- Easy Operation
- NFPA Signage

**Item Number: 6520380T**  
Galvanized Pipe

**Item Number: 6520381T**  
Black Pipe

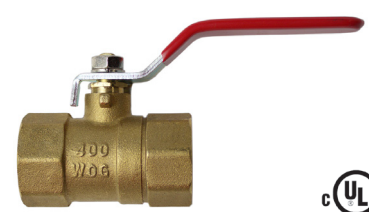
## BRASS BALL VALVES



NPT FULL PORT 600#



LEAD FREE BALL VALVES



NPT STANDARD PORT 400#

## FIRE PROTECTION TRIM VALVES



GATE VALVES



GLOBE VALVES



ANGLE VALVES



CHECK VALVES



PRESSURE RELIEF



SIGHT GLASSES



3 WAY GAUGE VALVE



HOSE BIBBS & BOILER DRAINS

phone: 800.854.1015

ARGCO.com

fax 800.924.5922





# PIPING TOOLS

## THREADING MACHINES & REPLACEMENT PARTS



**ARGCO**  
THREADING  
MACHINE



HIGH SPEED  
STEEL DIES



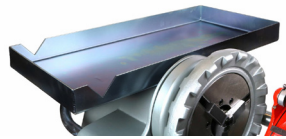
DIE HEAD COMPONENTS



CARRIAGE  
ASSEMBLY  
COMPONENTS



Diehead Repair Kit  
(3302400kit)



Tric Tray  
3304401



Power Drive  
Repair Kit  
(3305100kit)



360 Cutter (1/8" - 2")  
(42370) 3302300



Cutter Wheel HD  
(33105) 3302306

Cutter Wheel Std.  
(44185) 3302306A



Transporter  
3304403



Carriage Lever Kit  
(42385) 3302100A



Carriage Collar  
Assembly  
(46215) 3302107



Reamer  
(42365) 3302200



Oiler Unit Complete  
(10883) 3303200



Oil Gun with Hose  
(72327) 3303201



Tuf-Cut Threading Oil  
dark: 1010043  
clear: 1010047



300 Motor  
(87740) 3301000-motor



Motor Armature  
(44010) 3304225



Motor Brush Set  
(44540) 3304222



Switch  
(44505) 3303311



Foot Switch  
Hardwired  
(36642) 3303314



Power Cord  
with plug  
(46740) 3303305



Jaw Insert Set  
(44715) 3304127



Rear Centering  
Assembly  
(44165) 3304108



Support Arm  
(44425) 3304134



Retaining Ring  
(44725) 3304133

RIDGID® is a registered trademark of RIDGID®, Inc. ARGCO is not an authorized distributor of RIDGID® products

**PARTS 56% OFF RIDGID® LIST PRICE - VISIT ARGCO.com For Complete Line**

phone: 800.854.1015

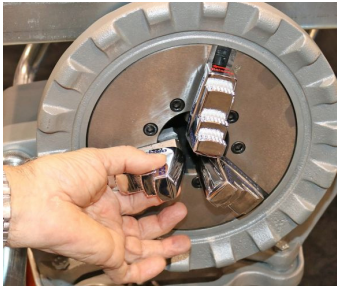
ARGCO.com

fax 800.924.5922

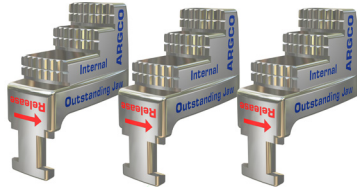


# PIPING TOOLS

## OUTSTANDING JAWS



Power Roll Cut 2-1/2" to 6" Pipe with your Ridgid 300® Machine. Fastest & Easiest way to Cut Large diameter pipe.



- Fits over existing chuck jaws and expand outward on the inside the wall of the pipe
- Power drive turns the pipe, making roll cutting easy.
- Works on all pipe wall thicknesses
- Includes plastic case with spring clips to attach to stand.

ITEM # 3304405



RIDGID® is a registered trademark of RIDGID®, Inc.

## PIPE STANDS & VISES



TRI-POD CHAIN VISES



TriPod Repair Kit



V-HEAD



ROLLER HEAD



FOLDING STANDS



BENCH VISES

## ALUMINUM PIPE WRENCHES



WRENCH PARTS

WRENCH PARTS:  
Repair Kits  
Hook Jaw  
Heel Assembly  
Nut  
Spring Assembly  
for all sizes

## PIPE CUTTING TOOLS



HAND PIPE CUTTERS



CUTTER WHEELS



HOLE SAWS



CUTTING BLADES

## MISC PIPE WORKING TOOLS



HYDROSTATIC TEST PUMPS



MECHANICAL BENDERS

**LOG ON TO ARGCO.COM FOR DISCOUNT PRICING ON FULL LINE OF ITEMS**

phone: 800.854.1015

ARGCO.com

fax 800.924.5922

**NEW**

## HYDRA-TAP

### FDC CHECK VALVE CLAPPER FLUSH TOOL



**MADE IN USA**

**ITEM # 3099140**

Flipping an FDC check-valve to conduct a Forward Flow or FDC Backflush is the worst part of any inspector or sprinkler fitters day. With The Hydra-Tap™ holding the clapper open and allowing for reverse flow, they'll never have to do it again.

Hydra-Tap comes complete with Set Rods, Tap Cylinder, Ball Valve and Nuts in a Sturdy Carrying Case

**HYDRASCOPE**  
ARTICULATING INSPECTION CAMERA  
Now Available *item \$3099141*



### DUAL VAC FIRE SPRINKLER VACUUM



A new approach to the old problem of removing water left in a piping system after draining. Repairs and modifications become much easier.

Combines the benefits of a wet/dry vacuum and a submersible pump.

Runs unattended so you can spend time making money, not cleaning up water. Now made of Stainless Steel

**ITEM # 3099185**

### DROPMASTER® DM12 FIRE SPRINKLER VACUUM



Replace sprinkler heads without using buckets & tarps.

- 10 gallon holding tank
- 20 ft non-collapsible suction and discharge hose.
- Anti-flood device.
- 38 gpm automatic internal pump for draining holding tank.
- Tamper proof calibrated automatic 3/4" relief valve.
- Mounted on a portable cart with wheels.

**ITEM # 3099182**

### BEAM CLAMP RATCHET WRENCH

Fits 3/8" & 5/16" square head set screws -- used with beam clamps, c-clamps and purlin clamps.



**ITEM # 3035106**

### THREADED ROD CHASER

Quickly chase damaged threads after cutting threaded rod with a saw or bolt cutter



3/8" & 1/2" sizes available

**ITEM # 3099113**

### ON CENTER PUNCH

Magnetic center punch and level combination accurately locates position of holes to be drilled into pipe.

- Prevents drill bit from "walking" on curved surface of pipe
- Two vials for horizontal or vertical leveling
- 1" to 10" pipe capacity



**ITEM # 3099106**

### SHUTGUN SPRINKLER SHUTOFF TOOLS

Universal Sprinkler Stop for pendant and upright sprinkler heads.



**ITEM # 3099181**

Incorporates a fusible link that will release if fire rekindles. One hand activation makes it safe and easy to use.



### SPRINKLER STOP

Universal sprinkler stopper device, stops water damage caused by an open sprinkler head without shutting down the entire system. Simply push rubber stop into opening of sprinkler head and turn handle until water flow stops. Beveled rubber stopper completely stops water flow from sprinkler head orifice.



**ITEM # 3099180**



# FIRE SPRINKLER ACCESSORIES

ARGCO saves contractors money on quality products that meet the demanding specifications required for fire sprinkler installations. Download submittals from our website and put them on your engineer's desk. Now more than ever you owe it to yourself to try, switch and take care of your own bottom line.



**FIRE ALARMS**



**FLOW SWITCHES**



**GAUGES**

4" x 1/4" IPS  
300 psi  
Plastic or Steel Back



## PERSONALIZED GAUGES

Advertise for **FREE** with your company logo phone number & website



**HEAD GUARDS**



**SPARE HEAD BOXES**



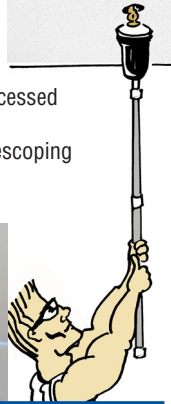
**IDENTIFICATION SIGNS, DECALS AND INSPECTION TAGS**

## PERSONALIZED SIGNS

Argco's Art Department will customize your aluminum signs, decals and Inspection Tags with your company info!

## TRIM PRO ESCUTCHEON INSTALLATION TOOL

Install or remove escutcheon skirts easily with magnetic head that holds both pendent & recessed escutcheons. Includes a 3 ft to 6 ft telescoping extension pole.



**SPRINKLER PROTECTORS**



**HEAD BOX WRENCH**

# FIRE EQUIPMENT



**FIRE DEPT. CONNECTIONS**



**FDC ACCESSORIES**



**SPRING CHECK VALVES**



**STORZ CONNECTIONS**



**HOSE VALVES**



**FIRE HOSE & ACCESSORIES**



**ADAPTERS**



**HOSE CAPS**

**LOG ON TO ARGCO.COM FOR DISCOUNT PRICING ON FULL LINE OF ITEMS**

phone: 800.854.1015

ARGCO.com

fax 800.924.5922



# FIRE SPRINKLER ESCUTCHEONS

ARGCO offers the largest selection of Escutcheon Sizes, Finishes, Styles & Materials



STEEL ESCUTCHEONS



CORROSION RESISTANT  
PLASTIC ESCUTCHEONS



REPLACEMENT ESCUTCHEONS

## ALUMINUM/STAINLESS STEEL ESCUTCHEONS

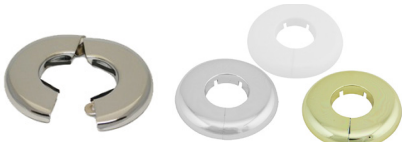


**HAND-SPUN CUSTOM MADE STAINLESS STEEL & ALUMINUM ESCUTCHEONS. POLISHED OR POWDER-COATED TO ANY COLOR IN THE SPECTRUM.**

- 1100 040 Aluminum
- 304L 18 gauge Stainless Steel



## WALL PLATES



HEAVY GAUGE STEEL    CORROSION RESISTANT PLASTIC



GALVANIZED CAST IRON



CAST BRASS



CHROME PLATED CAST BRASS



ALUMINUM & STAINLESS STEEL

**ARGCO.com: Find Technical Data, Catalogs, SDS Sheets & Stock**

phone: 800.854.1015

ARGCO.com

fax 800.924.5922



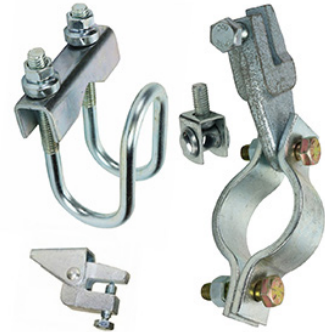
# PIPE HANGERS & SEISMIC



STEEL PIPE HANGERS



CPVC PIPE HANGERS



SEISMIC SWAY BRACING



THREADED ROD FASTENERS



STRUCTURAL ATTACHMENTS



STRUT CLAMPS & ACCESSORIES



## ARGCO WAREHOUSES

45,000 SQUARE FEET IN RHODE ISLAND

48,000 IN ARKANSAS

25,000 IN SOUTHERN CALIFORNIA



The Competitive Brand Contractors  
rely on when Savings is Important

phone: 800.854.1015

ARGCO.com

fax 800.924.5922

# WHY ARGCO?

Since 1981, ARGCO has been saving contractors significant money on quality products they use every day.



## Argco Factory-Direct Pricing:

Volume Structured Savings from case through pallet quantity to Factory-Direct Container pricing.



## Service Commitment:

Place your full box order by 9:30 am and in-stock items will go out that Same Day. Click here to see if you are within One-Day Shipping



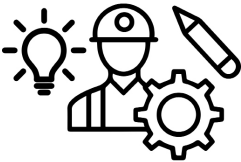
## Guaranteed Quality:

We stand behind our own brand, our own product. Same UL and FM listings and certifications as our competitors. 100% "No Questions Asked" Return Policy.



## Inventory:

West Coast , East Coast and Midwest Warehouses. One or Two day delivery to most locations in the U.S.



## Innovative Products:

Argco's investment in engineering is developing new time-saving tools.



## Benefits of Online Buying:

Place your orders 24 hours a day, with your contractor discount.

- Check our \$8 million live in-stock levels, online.
- Complete anonymity. You don't have to deal with a sales rep if you prefer.



## Free Samples:

Check out our quality first. Call for free samples before you buy.



## Industry Support:

We are proud active members of the AFSA, NFSA , NFPA & SFPE

**ARGCO.com**

ARGCO SALES: toll free: 800-854-1015 | international: 760-727-1644 | fax: 800-924-5922 | email: sales@argco.com



**ARGCO.com**

**ARGCO SALES:** toll free: 800-854-1015 | international: 760-727-1644 | fax: 800-924-5922 | email: sales@argco.com