



SUBMITTAL PACKAGE CPVC PIPE STRAPS

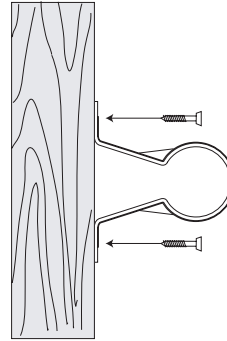


CPVC No Block Standoff.....pg 1-2
CPVC Two Hole Strap.....pg 3
CPVC Two Hole Wrap Around Strap.....pg 4
CPVC One Hole Side Mount Strap.....pg 5
Stud Guards (Nail Plates).....pg 6

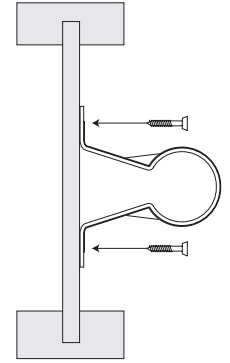
STAND-OFF TWO HOLE STRAP NO BLOCK FOR CPVC



- For mounting CPVC pipe to wood
- Flared edges help protect CPVC
- Galvanized steel construction
- Supplied with #10 x 1" hex head cap screws
- Complies with the static load requirements of NFPA® 13
- Suitable for fire protection installations
- Eliminates spacers or backup blocks
- Easy installation



Wood Stud



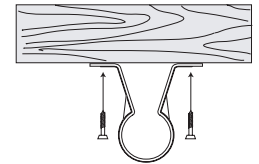
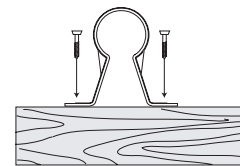
**Composite
(Minimum 3/8")**

Designed to mount CPVC pipe horizontally or vertically to wood or composite wood joists with a minimum 3/8" thickness. Can only be used as a guide on top of beam or on vertical piping. May be installed to wood using supplied fastener or into (minimum 18 gauge) steel using two 1/4" x 1" TEK type screws.

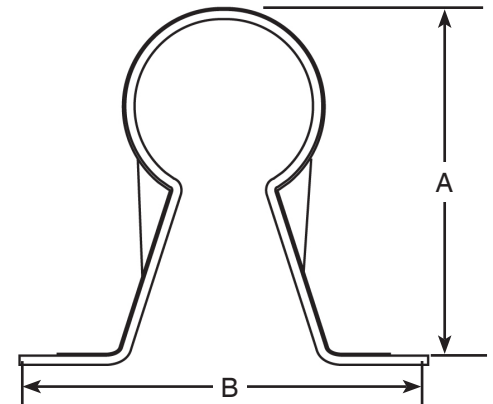
Provides vertical/lateral restraint and prevents upward movement of the pipe.

For use as a restrainer in all sizes when attached to the bottom of structural wood members.

For use as a restrainer in the 3/4 inch size when attached to the top of structural wood members.



Installation: Per NFPA 13, 13R and 13D. (see next page)



Fasteners:	
Wood -	3/4" to 3" CPVC Pipe - wood screw - no pre-drill
Steel -	3/4" to 3" CPVC Pipe - 1/4" TEK screw

ITEM #	CPVC PIPE SIZE	DIMENSIONS		MAX. HANGER SPACING per NFPA13
		A	B	
2530180-3/4	3/4"	2.69"	3.25"	5.5 ft / 1.68 m
2530180-1	1"	2.94"	3.25"	6 ft / 1.83 m
2530180-1-1/4	1-1/4"	3.31"	3.25"	6.5 ft / 1.98 m
2530180-1-1/2	1-1/2"	3.56"	4.5"	7 ft / 2.13 m
2530180-2	2"	4.06"	5"	8 ft / 2.44 m

System No.		Location		Spec Section		Paragraph	
Submitted By		Date		Approved		Date	

STAND-OFF TWO HOLE STRAP NO BLOCK FOR CPVC



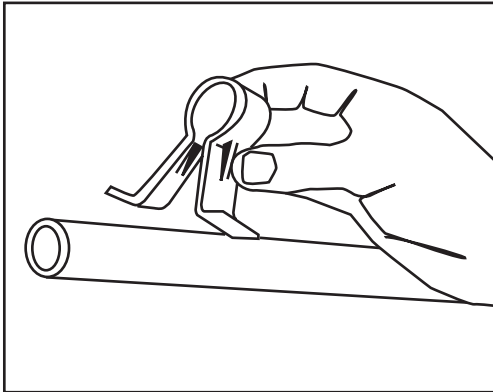
INSTALLATION INSTRUCTIONS



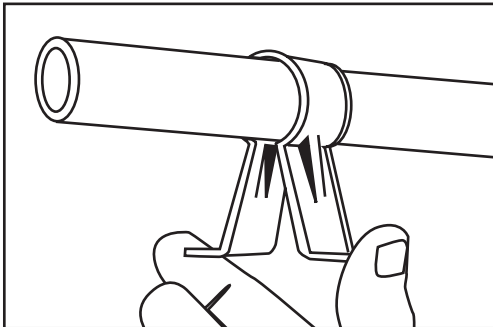
Designed to mount CPVC pipe to wood or composite wood joists with a minimum 3/8" thickness.

All safety regulations required by the jobsite must be observed.

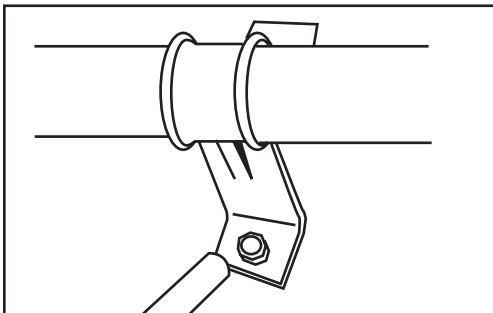
- Observe all federal and local safety regulations
- Wear safety glasses and hard hat at all times
- Be aware of personnel working above and below
- Wear gloves to avoid splinters and cuts.
- When working above ground , be sure the structure will support your weight.



1. Snap strap over CPVC pipe.



2. Squeeze strap back around pipe
Allow pipe to slide back and forth



3. Fasten the strap to the wood surface using the two hex head screws provided.

For use as a restrainer in all sizes when attached to the bottom of structural wood members.

For use as a restrainer in the 3/4 inch size when attached to the top of structural wood members.

System No.		Location		Spec Section		Paragraph	
Submitted By		Date		Approved		Date	

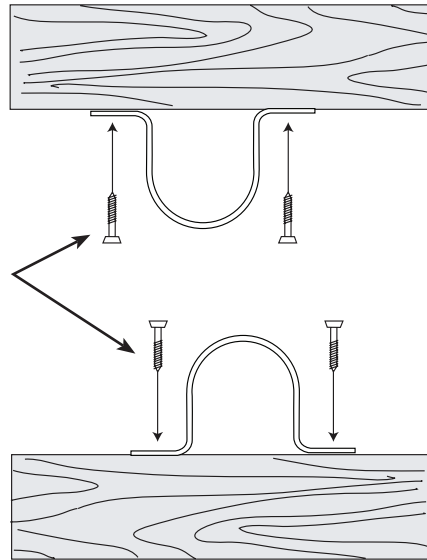
CPVC TWO HOLE STRAP



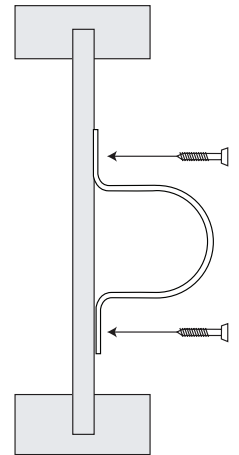
HEX HEAD SCREWS

Designed for support or restraint for piping in either a vertical or horizontal position. It can be used on top or bottom of a beam. The edges are flared to prevent any damage to the CPVC pipe. It is easily attached using two #10 x 1" hex head self-threading screws (supplied).

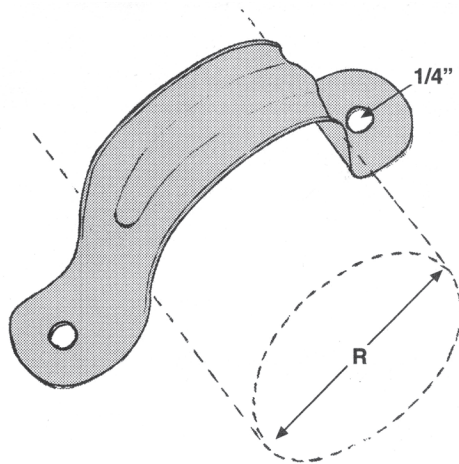
Galvanized steel construction



Wood Stud



Composite
(Minimum 3/8")



1. SNAP CPVC PIPE INTO HANGER
2. MOUNT HANGER TO UNDERSIDE OF BEAM WITH SCREWS PROVIDED

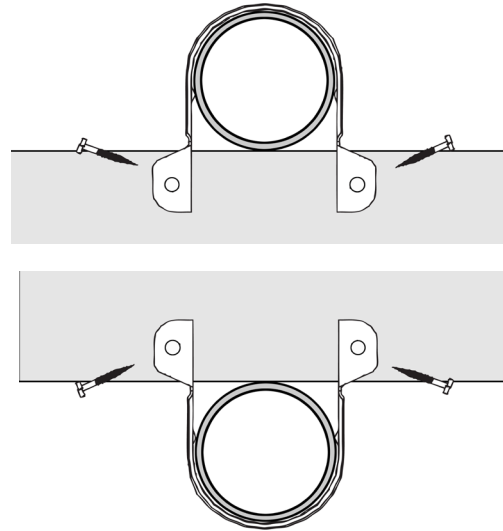
NOTE: MAY ALSO BE USED ON TOP SIDE OF BEAM.

ITEM #	CPVC PIPE SIZE
2530283	3/4"
2530284	1"
2530285	1-1/4"
2530286	1-1/2"
2530287	2"

Galvanized carbon steel construction, supplied with hex slotted screws

System No.		Location		Spec Section		Paragraph	
Submitted By		Date		Approved		Date	

CPVC STRAP TWO HOLE 90° WRAP AROUND



- Top or bottom beam installation
- Supplied with #10 x 1" hex head cap screws

1. Snap CPVC pipe hanger into pipe, dimples hold pipe in place
2. Mount hanger onto wood beam with screws provided
NOTE: May also be used on the underside of beam.
3. Anchor tightly to surface,
NOTE: Ensure that pipe can slide freely through hanger.

ITEM #	CPVC PIPE SIZE
2530175-3/4	3/4"
2530175-1	1"
2530175-1-1/4	1-1/4"
2530175-1-1/2	1-1/2"
2530175-2	2"

Galvanized carbon steel construction; supplied with hex slotted screws

System No.		Location		Spec Section		Paragraph	
Submitted By		Date		Approved		Date	

CPVC STRAP 90° WRAP AROUND



Provides support for CPVC piping in fire sprinkler systems installed per NFPA 13, 13R and 13D.

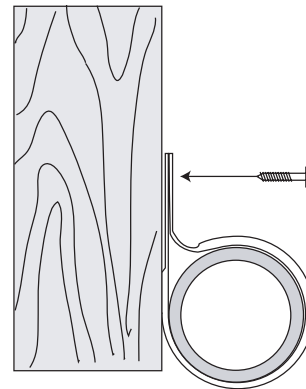
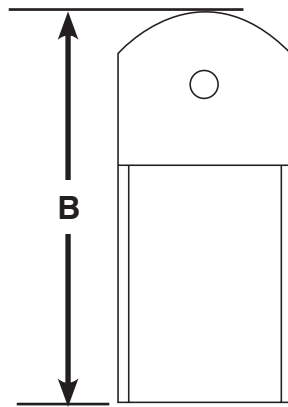
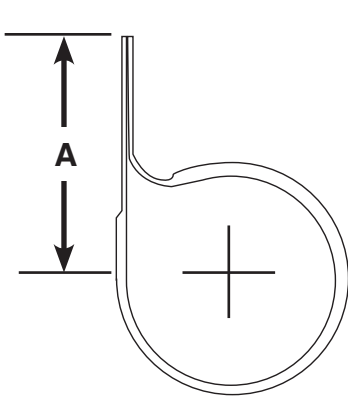
- Fasten with a Hex Head Screw, #10 x 1", supplied with the strap.
- Pre-galvanized finish.



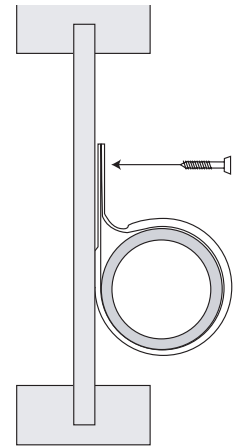
INSTALLATION:

1. Snap CPVC hanger onto pipe, dimples hold pipe in place
2. Mount hanger onto wood beam with screws provided
3. May also be used on the underside of beam
4. Anchor tightly to surface

NOTE: Ensure that pipe can slide freely through hanger.



Wood Stud



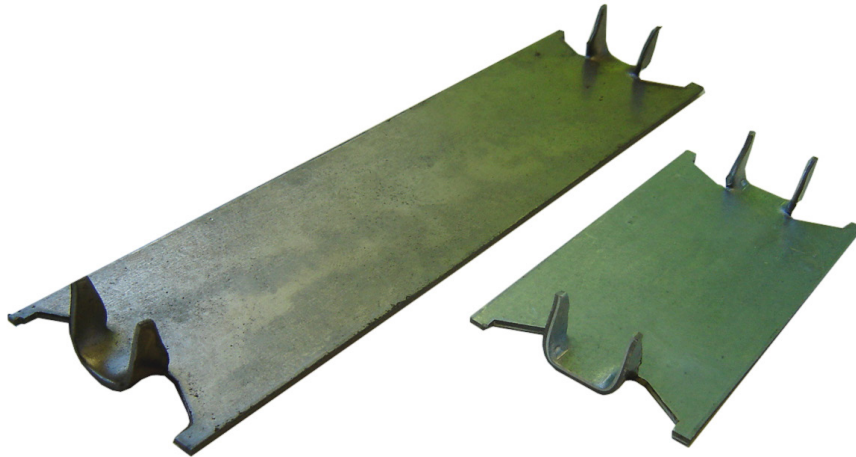
Composite
(Minimum 3/8")

CPVC STRAP 90° WRAP AROUND				MAX HANGER SPACING	CROSS REF	
ITEM #	CPVC PIPE SIZE	A	B		TOLCO®	ERICO®
2530160-3/4	3/4"	1"	2-7/16"	5-1/2"	12722	1070075
2530160-1	1"	1-7/16"	2-11/16"	6"	12746	1070100
2530160-1-1/4	1-1/4"	1-5/8"	3-1/16"	6-1/2"	12753	1070125
2530160-1-1/2	1-1/2"	1-3/4"	3-5/16"	7"	12760	1070150
2530160-2	2"	1-11/16"	3-3/4"	8"	12777	1070200

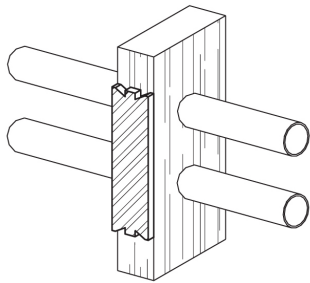
Galvanized carbon steel construction; supplied with hex slotted screws

System No.		Location		Spec Section		Paragraph	
Submitted By		Date		Approved		Date	

STUD GUARDS/SAFETY NAIL PLATES



- Affix to the face of wood members to protect utility pipes and to protect nails from penetrating into hidden live wires (NMC Cable)which may be running through notches or through the drilled holes in the stud.
- Nail Sharp Points
- Easy to Install



ITEM #	SIZE	STEEL THICK.
2530290	1-1/2" x 6"	18 GA
2530291	1-1/2" x 6"	18 GA
2530293	3" x 5"	16 GA
2530295	5" x 6"	16 GA

System No.		Location		Spec Section		Paragraph	
Submitted By		Date		Approved		Date	